











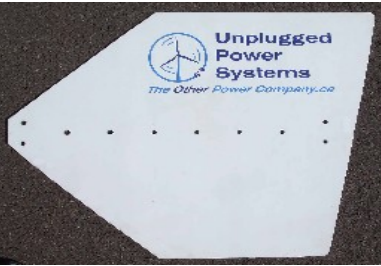






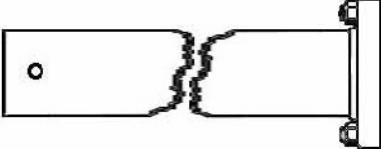
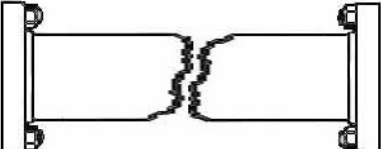
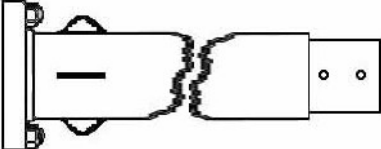

UP300A / UP500A Packing Manifest

Description ***Quantity*** ***Picture***

Anchor Plate	4	
Anchor Rod	4	
Base Plate	1	
Base Plate Anchor	4	

<p>Blade</p>	<p>3</p> 
<p>Dump Load (In box with controller)</p>	<p>1</p> 
<p>Generator</p>	<p>1</p> 
<p>Guy Wire</p>	<p>4</p> 
<p>Hookup Wire</p>	<p>1</p> 

<p>Nose Cone</p>	<p>1</p> 
<p>Power Inverter</p>	<p>1</p> 
<p>Rotor Hub Assembly</p>	<p>1</p> 
<p>Tail</p>	<p>1</p> 
<p>Tail Bolts M10x60</p>	<p>8</p> 

<p>Tail Boom Assembly</p>	<p>1</p>	
<p>Tensioner</p>	<p>4</p>	
<p>Tower Bolts</p>	<p>12</p>	
<p>Tower Section (Bottom)</p>	<p>1</p>	
<p>Tower Section (Center)</p>	<p>1</p>	
<p>Tower Section (Top)</p>	<p>1</p>	
<p>Turbine Controller</p>	<p>1</p>	
<p>U Bolt</p>	<p>16</p>	